

# BRINLY



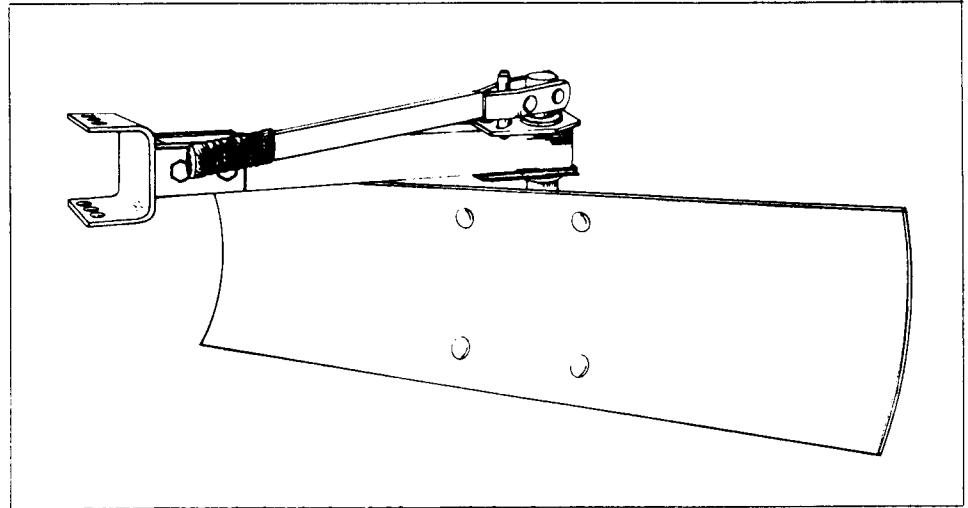
## OWNER'S MANUAL

SERIES BB-56

MODEL NO. BB-562

42" GRADER BLADE

- Assembly
- Installation
- Operation
- Repair Parts



THIS IMPLEMENT FOR USE WITH GARDEN TRACTORS EQUIPPED WITH SLEEVE HITCH.  
ALSO, TIRE CHAINS AND WHEEL WEIGHTS ARE RECOMMENDED.

**"IMPORTANT: THIS MANUAL CONTAINS INFORMATION FOR THE SAFETY OF PERSONS AND PROPERTY. READ IT CAREFULLY BEFORE ASSEMBLY AND OPERATION OF THE EQUIPMENT!"**

### LIMITED WARRANTY

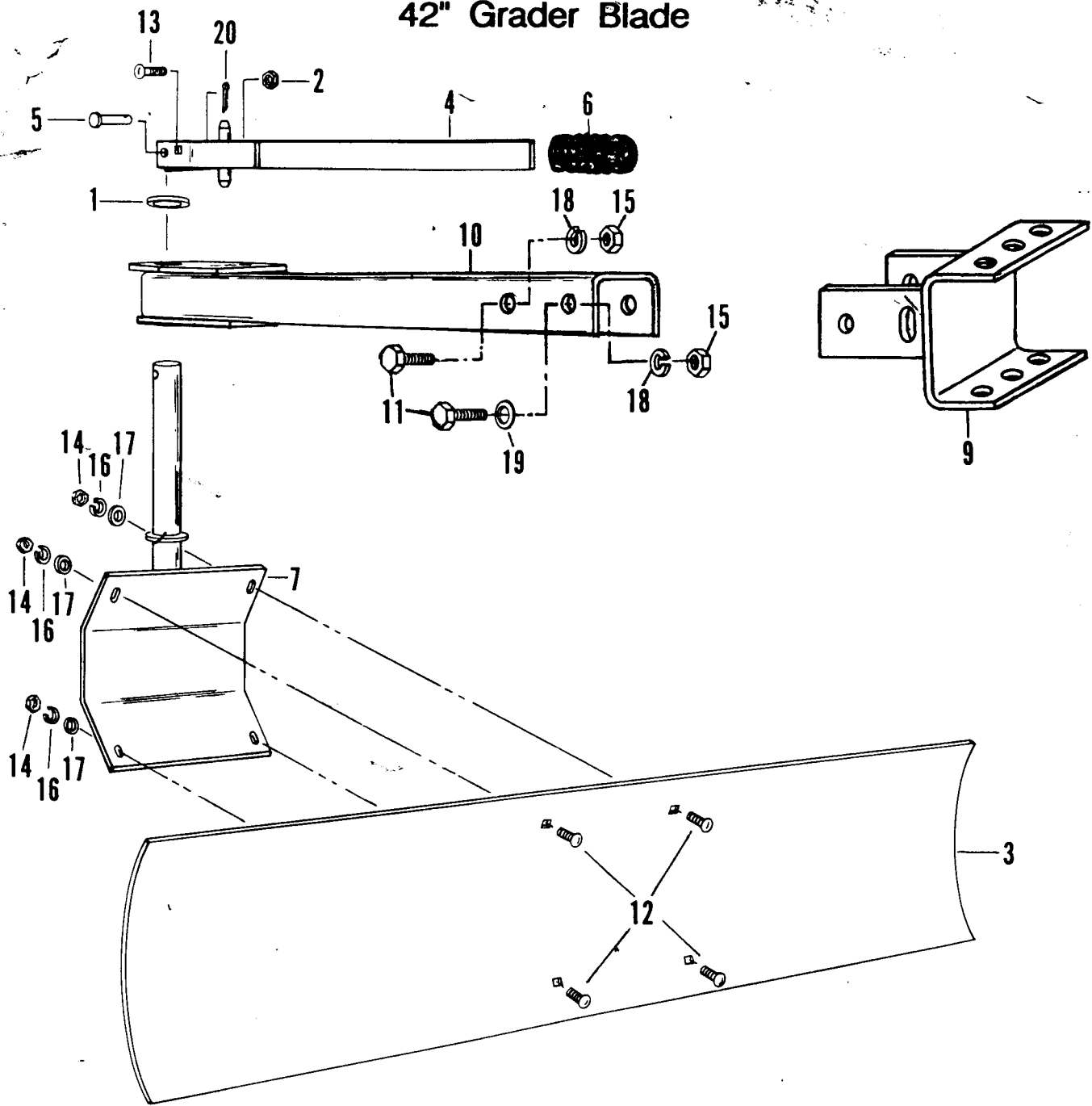
Brinly-Hardy Company warrants only to the original retail purchaser that this product will remain free of defects in workmanship and materials under normal use and service for a period of one (1) year (NOTE: ninety (90) days for commercial or rental use) commencing with the date of purchase.

Any parts found to be defective within the warranty period will be replaced, with proof of date of purchase, at Brinly Hardy Company's expense. Our obligation under this warranty is expressly limited to replacement or repair, at our option of parts which are defective in material or workmanship within thirty (30) days of receipt of the parts. This warranty does not apply to damage caused by unreasonable use, including failure to provide necessary maintenance, nor does it apply to any transportation or labor charges.

WE MAKE NO OTHER EXPRESS WARRANTY NOR IS ANYONE AUTHORIZED TO MAKE ANY ON OUR BEHALF. ANY IMPLIED OR STATUTORY WARRANTIES, INCLUDING ANY WARRANTY OF MERCHANTABILITY OR FITNESS FOR A PARTICULAR PURPOSE, ARE LIMITED TO THE DURATION OF THIS WRITTEN WARRANTY. WE SHALL NOT BE LIABLE FOR CONSEQUENTIAL OR INCIDENTAL DAMAGES OF ANY KIND.

**MADE IN U.S.A.**

# 42" Grader Blade



## PARTS LIST

Ref. No.	Part No.	Description	Qty.	Ref. No.	Part No.	Description	Qty.
1	B-811-P	Flat Washer (Bushing)	1	12	10M1216P	Carriage Bolt, 3/8" x 1"	4
2	B-1675P	Hex Lock Nut, 3/8"	1	13	10M1240P	Carriage Bolt, 3/8" x 2-1/2"	1
3	B-2375-10	Blade, 42"	1	14	30M1200P	Hex Nut, 3/8"	4
4	B-2376-10	Angling Lever	1	15	30M1600P	Hex Nut, 1/2"	4
5	B-2578	Shear Pin, 7/16" x 2-3/8"	1	16	40M1200P	Lock Washer, 3/8"	4
6	B-2579	Handle Grip	1	17	45M1313P	Flat washer, 3/8"	4
7	B-2596-10	Blade Mount Plate	1	18	40M1600P	Lock Washer, 1/2"	4
9	B-4265-10	Hitch Assembly	1	19	45M1717P	Flat Washer, 1/2"	4
10	B-4351-10	Drawbar	1	20	50M0416P	Cotter Pin, 1/8" x 1"	1
11	2M1620P	Hex Bolt, 1/2" x 1-1/4"	4	21	L-1434	Owner's Manual	1